

Box with Multi-Pole SPD for Photovoltaic Systems  
**ProTec T2 PV-5Y-L(-MC)-Box**  
 Class II • Type 2



Location of Use: Photovoltaic Systems  
 Mode of Protection: (+)-PE, (-)-PE, (+)-(-)  
 IEC/EN Category: Class II, Type 2  
 Housing: IP 67 Enclosure  
 Compliance: EN 61643-31:2019  
 IEC 61643-31: 2018

**Technical Data**

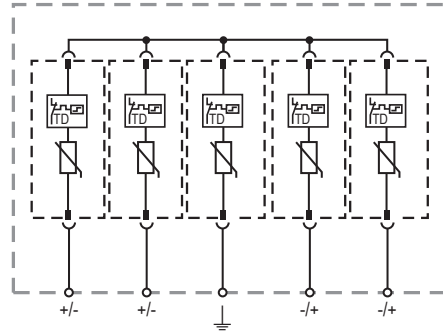
ProTec T2-xxxxPV-5Y-L(-MC)-Box		1100	1500
<b>Electrical</b>			
Maximum Continuous Operating Voltage (DC)	$U_{OPV}$	1100V	1500V
Nominal Discharge Current (8/20 $\mu$ s)	$I_n$	20 kA	15 kA
Total Discharge Current (8/20 $\mu$ s)	$I_{total}$	40 kA	40 kA
Maximum Discharge Current (8/20 $\mu$ s)	$I_{max}$	40 kA	40 kA
Voltage Protection Level	$U_p$	< 4.2kV	< 4.8 kV
Response Time	$t_A$	< 25 ns	
Short Circuit Current Rating	$I_{SCPV}$	9 kA	
Number of Strings per MPPT		2	
<b>Mechanical &amp; Environmental</b>			
Temperature Range	$T_a$	-40 °F to +185 °F [-40 °C to +85 °C]	
Permissible Humidity	RH	5%...95%	
Altitude		13123 ft [4000m]	
Type of Cable Entry		Cable Gland / MC4 Connectors	
Conductor Cross Section [Cable Gland]	(min)	13 AWG [2.5 mm <sup>2</sup> ] (stranded, flexible)	
	(max)	9 AWG [6 mm <sup>2</sup> ] (stranded, flexible)	
Conductor Cross Section Grounding [Cable Gland]	(min)	9 AWG [6 mm <sup>2</sup> ] (stranded, flexible)	
	(max)	5 AWG [16 mm <sup>2</sup> ] (stranded, flexible)	
Wire Insulation Outer Diameter [Cable Gland]	(min)	.15" [4 mm] (stranded, flexible)	
	(max)	.31" [8mm] (stranded, flexible)	
Degree of Protection		IP 67	
Thermal Protection		Yes	
Operating State / Fault Indication		Green Flag / Not Green Flag	
Housing Material		Polycarbonat with Semitransparent Cover	
Mounting		Outdoor Wall	
<b>Order Information</b>			
Order Code		1100	1500
ProTec T2-xxxxPV-5Y-L-Box		515 545	515 547
ProTec T2-xxxxPV-5Y-L-MC-Box		515 549	515 551

## ProTec T2 PV-5Y-L(-MC)-Box

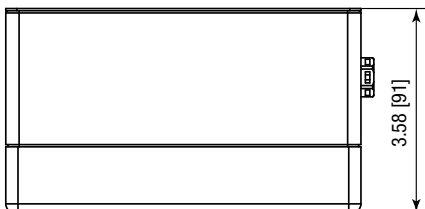
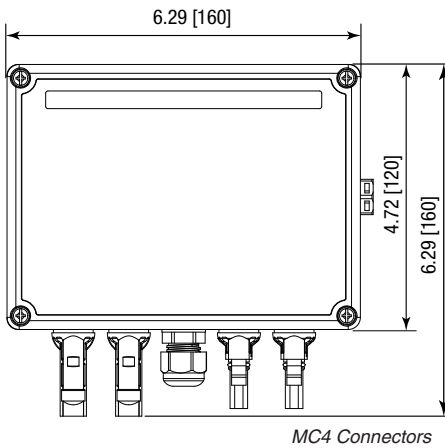
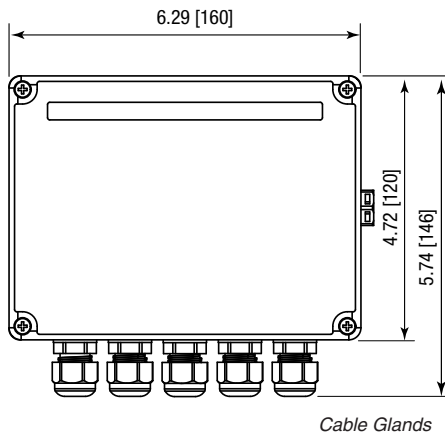
### Internal Configuration

#### Legend

- +/-, -/+ Terminal for +/-, -/+ Conductor
- ⏚ Terminal for PE/G Conductor
- TD Thermal Disconnect



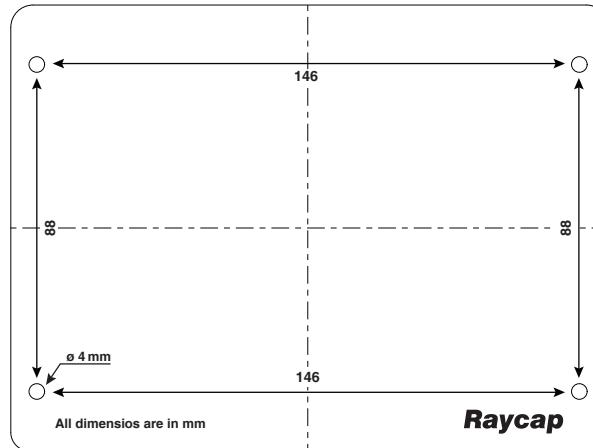
### Dimensions & Packaging



#### Dimensions & Packaging

ProTec T2-xxxxPV-5Y-L-Box		1100	1500
Single Unit Weight	pounds [grams]	1.96 [890]	1.91 [869]
ProTec T2-xxxxPV-5Y-L-MC-Box			
Single Unit Weight	pounds [grams]	1.89 [860]	1.95 [886]
Packaging Dimensions (H x W x L)		4.06 x 6.29 x 7.87" [103 x 160 x 200 mm]	
Minimum Package Quantity		1 Unit	

#### Drill Template [mm]



inches  
[mm]

Information contained in this document is subject to change at any time without notice.

