

DATA SHEET SPD for DSL Networks RayTel 20



IEC/EN Category: D1/C1/C2/C3
 Surge Discharge Ratings: I_n : up to 20kA, I_{imp} : up to 7.5kA
 Voltages: 110V DC
 Max. Operating Voltage: 180V DC
 Frequency Range: up to 250 MHz
 Housing: Compact Design
 Compliance: IEC/EN 61643-21



Technical Data

RayTel 20

Electrical

Type per IEC/EN 61643-21		D1/C1/C2/C3
Number of Protected Pairs		1 Pair (2 Conductors)
Nominal Operating Voltage (DC)	U_n	110V
Maximum Continuous Operating Voltage (DC)	U_c	180V
Maximum Continuous Operating Voltage (AC)	U_c	127V
Nominal Current at 40°C	I_L	0.6 A
C2 Total Nominal Discharge Current (8/20 μ s)	I_n	20kA
C2 Nominal Discharge Current per Line (8/20 μ s)	I_n	10kA
D1 Total Lightning Impulse Current (10/350 μ s)	I_{imp}	7.5kA
D1 Lightning Impulse Current per Line (10/350 μ s)	I_{imp}	2.5kA
Voltage Protection Level at at 1 kV/ μ s C3 (Line-Line)	U_p	<250V
	(Lines-Ground)	<550V
Voltage Protection Level at I_n (Lines-Ground)	U_p	<750V
Series Resistance per Line	R_s	1.6-2.0 Ω
Bandwidth	f_G	up to 250 MHz
Capacitance (Line-Line)	C	≤ 20 pF
	(Lines-Ground)	C

Mechanical

Temperature Range	-13 °F to +176 °F [-25 °C to +80 °C]
Cross-sectional Area of the Signal Lines	0.13-2.5mm ² (solid)
Cross-sectional Area of the Signal Lines	0.13-2.5mm ² (flexible)
Cross-sectional Area of the Earth Terminal	0.2-2.5 mm ²
Connection Type	PCB Terminals
Degree of Protection IEC/EN 60529	IP 66
Housing Material	Polypropylene; Grey

Order Information

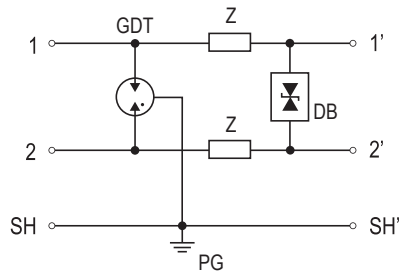
Order Code	
RayTel 20	124 152

RayTel 20

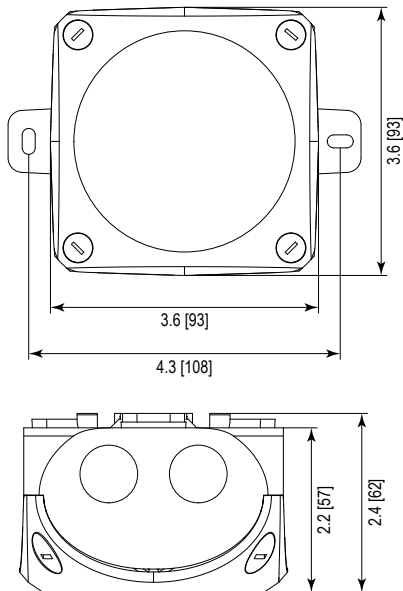
Internal Configuration

Legend

- DB Diode Block
- GDT Gas Discharge Tube
- PG Protective Grounding
- Z Impedance



Dimensions & Packaging



RayTel 20

Dimensions

Weight per Unit	5.29 oz [150 g]
Packaging Dimensions (Single Unit)	3.6 x 3.6 x 2.4" [93 x 93 x 63 mm]
Minimum Package Quantity	1 piece

inches
[mm]

Information contained in this document is subject to change at any time without notice.

